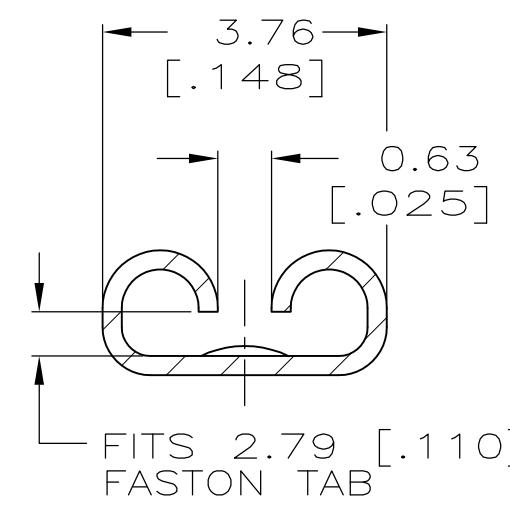
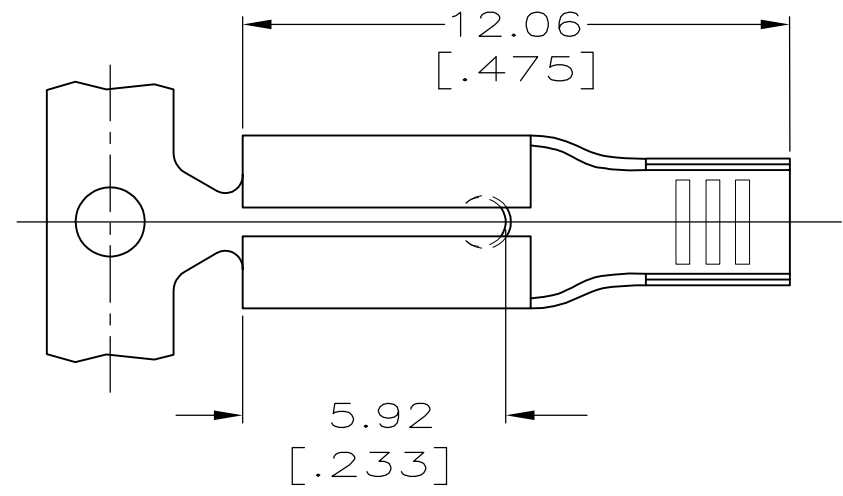


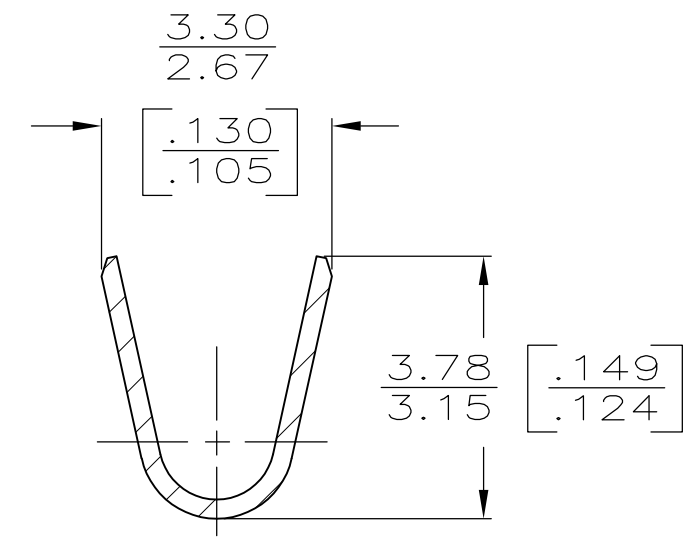
THIS DRAWING IS UNPUBLISHED. RELEASED FOR PUBLICATION  
 © COPYRIGHT - By - ALL RIGHTS RESERVED.

LOC	DIST	REVISIONS					
AF	50	P	LTR	DESCRIPTION	DATE	DWN	APVD
			C	REVISED PER ECR-12-013459	27NOV2012	KH	PD

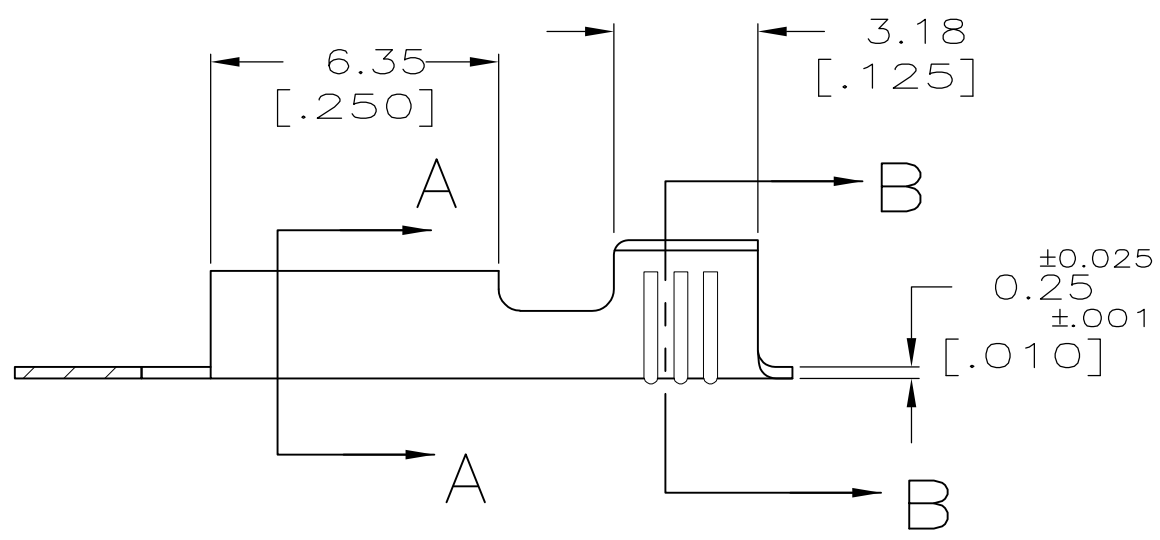
1 CONTINUOUS STRIP ON REELS



SECTION A-A  
SCALE 10:1



SECTION B-B  
SCALE 10:1



0.8-2.0mm <sup>2</sup> [18-14] AWG	0.51 [.020]	62852-1
WIRE SIZE	MATING TAB THK ±0.025 [.001]	PART NO

THIS DRAWING IS A CONTROLLED DOCUMENT.		DWN	JR RUTH	4/1/91	TE Connectivity RECEPTACLE, FASTON, 2.79 [.110] SERIES								
DIMENSIONS: mm [INCHES]		CHK	MS FEHER	4/1/91									
TOLERANCES UNLESS OTHERWISE SPECIFIED:		APVD	C MEYERS	4/1/91									
0 PLC ± - 1 PLC ± - 2 PLC ± 0.38 [.015] 3 PLC ± - 4 PLC ± - ANGLES ± -		PRODUCT SPEC	-										
MATERIAL	BRASS	FINISH	PRE-TIN	WEIGHT	-	SIZE	A3	CAGE CODE	00779	DRAWING NO	C-62852	RESTRICTED TO	-
CUSTOMER DRAWING						SCALE	6:1	SHEET	1 OF 1	REV	C		